

Why MountinGear EletrRiser 36?

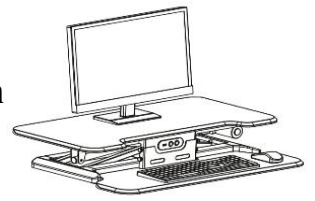
- 1) Alternate Between Sitting and Standing with a touch of button. Save your effort.
- 2) Transform your existing desk into an active sit-stand workstation.
- 3) Smart “X” structure and electric powered provide smooth and even support so transitioning from sitting to standing is safer and more reliable than other brands.
- 4) Oversized work surface and u-shaped keyboard tray that accommodates flexible setup options like 2 pcs of 17-inch laptop.
- 5) 6-year industrial production experience of standing desks. Monthly production capacity of 8k-10k pcs.

Sit or Stand with a touch of button!

We're the most stable standing desk convert on the market.

Electric Sit-stand Desktop Workstation

Large Work Surface Area



Technical information:

WEIGHT CAPACITY:

55 lbs | 25 kg

WORKSURFACE:

35 X 18.2 inch | 880 X 462 mm

KEYBOARD AREA:

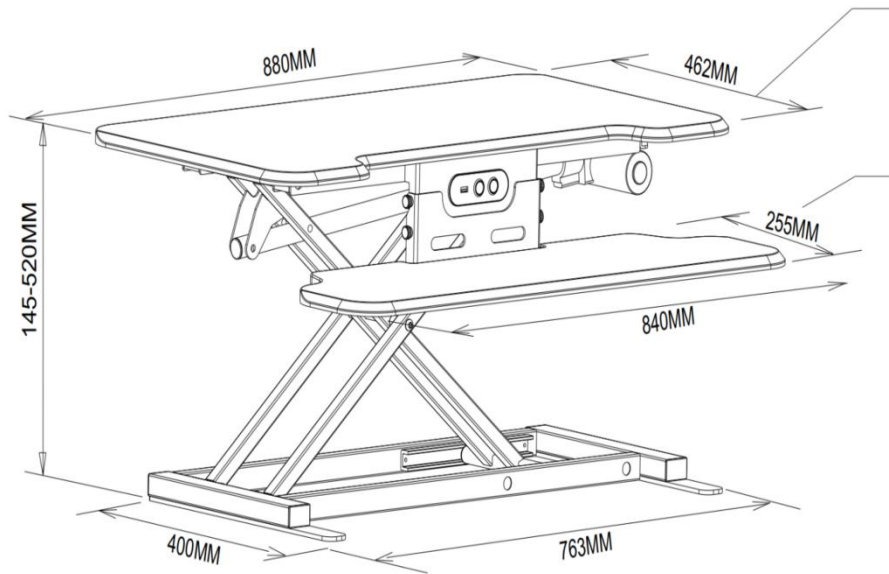
33 X 10 inch | 840 X 255 mm

FOOTPRINT:

30 X 15.7 inch | 763 X 400 mm

Input Voltage: 100~240 V

Max. Speed: 0.87"/s (22 mm/s)



PACKAGE:

PACKAGE SIZE:

37.4 X 8.7 X 22.3 inch | 950 X 223 X 567 mm

GROSS WEIGHT/NET WEIGHT:

(47.3lbs | 21.5 kg) / (45.1 lbs | 20.5 kg)

20 FEET CONTAINER QUANTITY: 230 pcs.



With lifting handle

